

# Semi-Automatic Labeling

*Round, flat, ovals and beyond...*

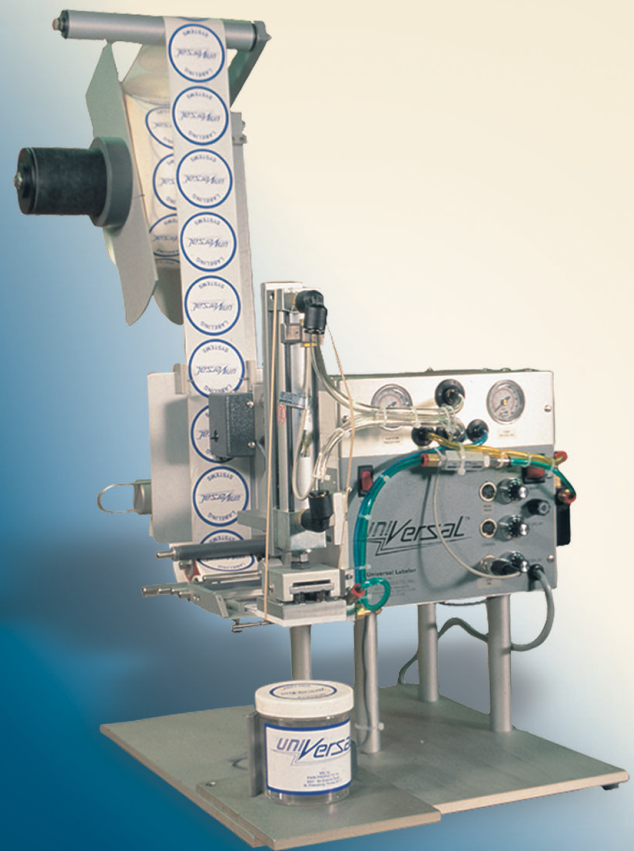


## R310 Round Product Labeling System

- Roll-on labeling from ampules to gallons
- Fast changeover from one size to another
- Photoelectric label sensing
- Foot switch activation
- So compact it fits virtually any tabletop

## L60 Tamp Apply Labeling System

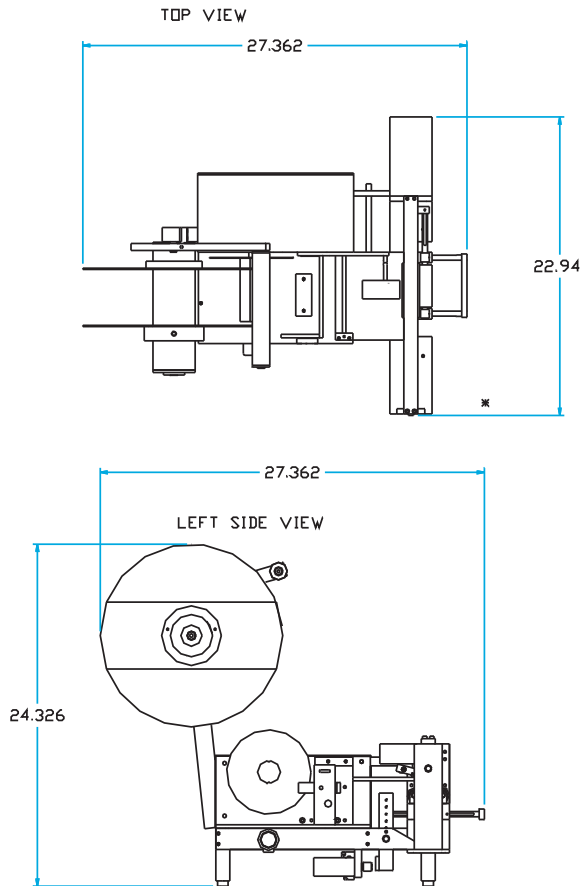
- Tamp or tamp-blow label applicator
- Electro pneumatic operated
- "Quick-change" tamp heads
- Photoelectric label sensing
- Custom designed fixture for your product



**UNIVERSAL**  
*labeling systems*

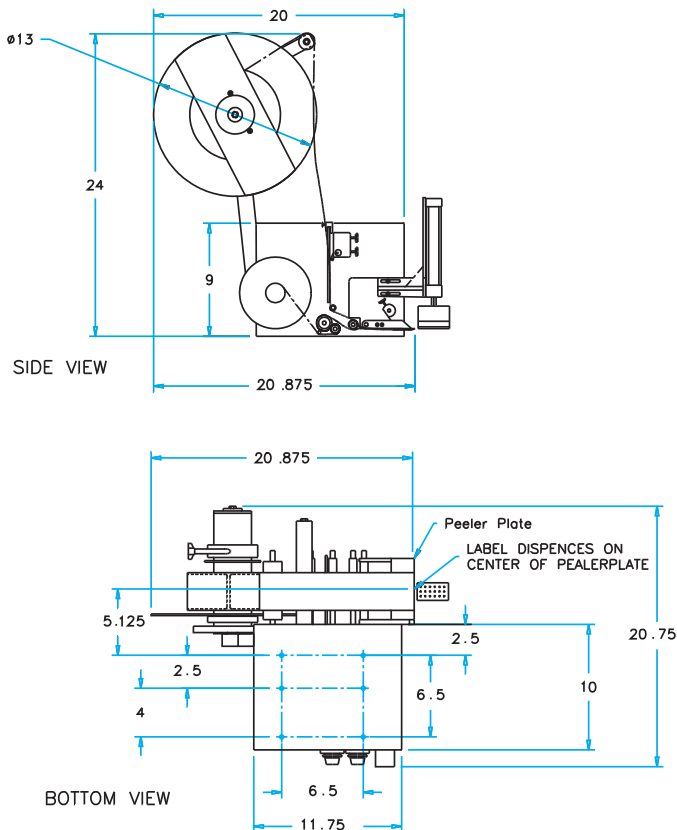
Engineering  
labeling solutions.

# SPECIFICATIONS



## R310

- Product sizes: .5" to 6" diameters
- Web width: up to 7.125"
- Label roll capacity: up to 12" Ø
- Air: 20 PSI minimum.
- Electric: 120VAC = +/-10%



## L60

- Dimensions: 19" W x 23" D x 30.75" H
- Web width: up to 4.5"
- Label roll capacity: up to 12" Ø.
- Electric: 120 VAC = +/-10%.
- Air: 40 PSI Tamp/80 PSI Blow-on.

### Universal Labeling Systems, Inc.

3501 8th Avenue South • St. Petersburg, FL 33711

1-877-236-0266 • sales@universal1.com

www.universal1.com