

Ink-Jet



IP 7000 INDUSTRIAL INK-JET CODER

High Resolution Printing

A cost effective and reliable alternative to labels.

Create 4" high messages with up to 32 lines from a single head

Fast and easy message design & editing

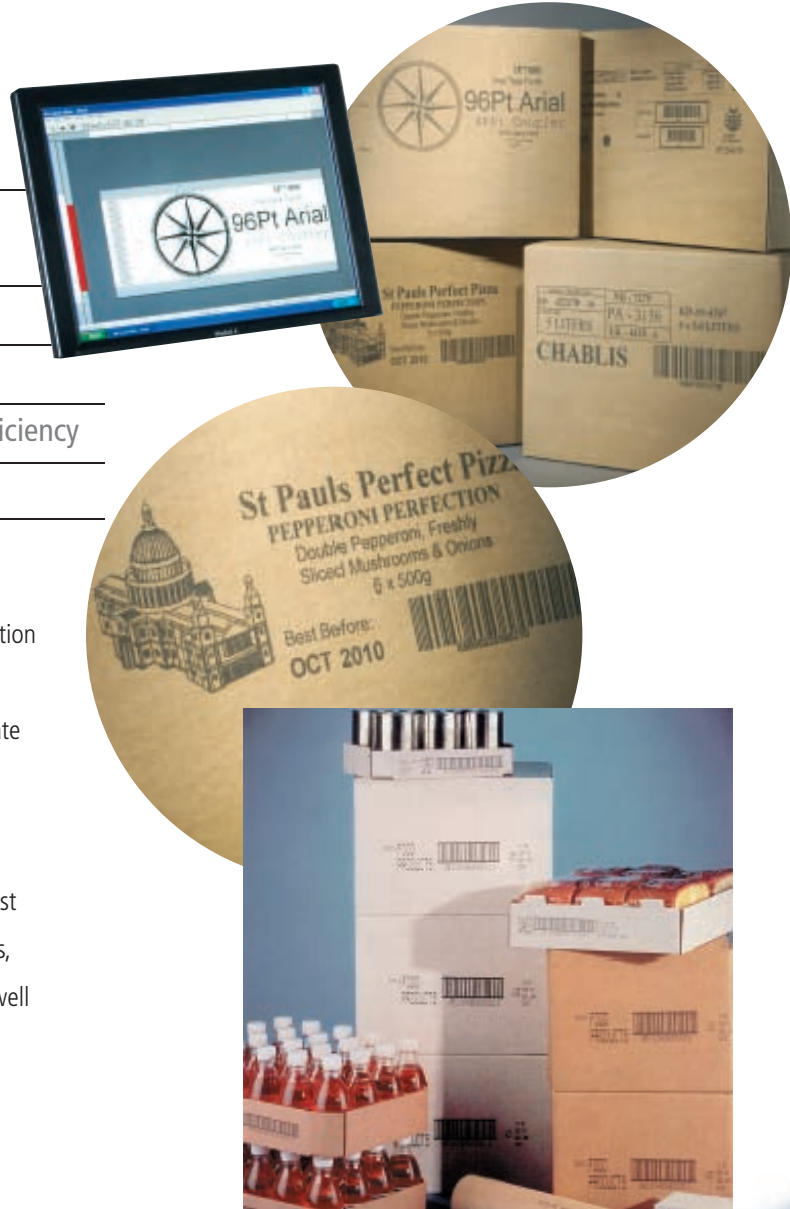
Resolution of 200 dpi for crisp bar codes and graphics

Unique recirculating priming system maximizes ink efficiency

Standard PC, Windows platform

The IP 7000 high resolution printer represents the latest industrial ink-jet technology available, while providing exceptional print resolution and versatility along with unparalleled levels of readability. Ideal for printing on porous materials, the IP 7000 is rugged enough to operate in a comprehensive range of challenging industrial environments.

This industrial printer will "direct print" all of your products on the production line, providing optimal message flexibility and a lower cost alternative to labels. Capable of printing Windows® TrueType™ fonts, this printer comes ready to print over 32 lines of text and logos; as well as a full selection of bar codes with a simple and intuitive interface.



Matthews Marking Products

Ink-Jet Printing • Contact Printing • Indenting • Etching • Inks • Integrated Solutions

Technical Specs IP 7000 Series Printheads

	LINES OF PRINT	MIN. CHAR. SIZE	MAX. CHAR. SIZE	MAX. SPEED	MAX. PRINT DISTANCE ⁽¹⁾	ORIENTATION	DIMENSIONS ⁽²⁾
50 mm (1.97")	16	5/64" (2 mm)	1.97" (50 mm)	276 ft./min.	.40" (10 mm)	Horizontal	17.27"L x 5.75"W x 8.66"H (439 x 146 x 220 mm)
100 mm (3.94")	32	5/64" (2 mm)	3.94" (100 mm)	276 ft./min.	.40" (10 mm)	Horizontal	17.27"L x 5.75"W x 8.66"H (439 x 146 x 220 mm)

(1) Printing alphanumeric characters

(2) The height includes the ink system and a 500 ml. bottle

IP 7000 CONTROLLER	
Maximum Number of Printheads	Two
Printhead direction	Bi-directional
Networking	YES
Ethernet Networking Capability	YES
Message Editor	Design message up to 25 fields
Barcodes	Comprehensive range
Electrical	50-60 Hz switch mode, power supply; 110-240 VAC at 0.8 A
User Interface	Standard PC Windows® platform Built-in product and batch counters Network ready Intuitive program design Simple message creation and editing On-board graphics utility Prints Windows TrueType™ fonts

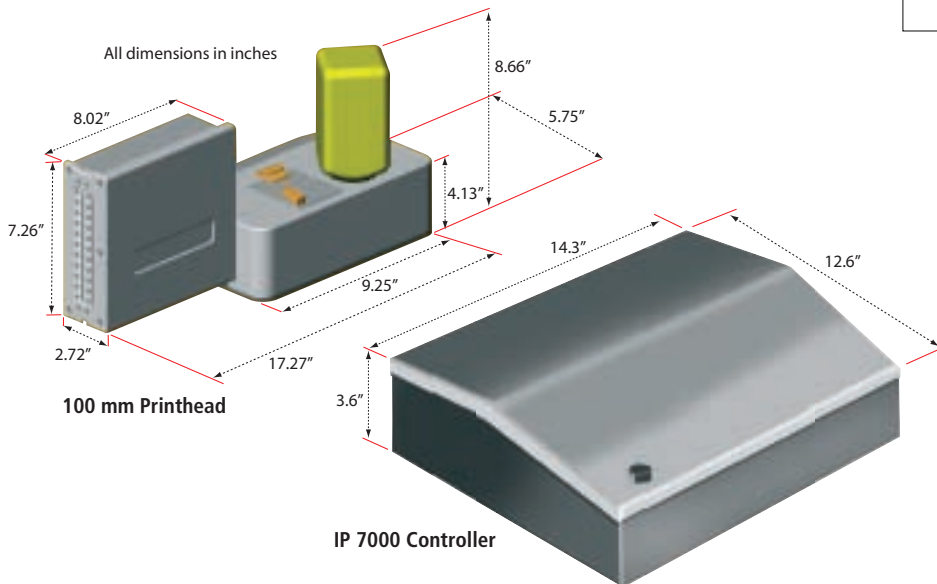
INKING SYSTEM

- Stainless steel enclosure
- Safe, non-pressurized container
- Clean, disposable 500 ml ink cartridge
- Unique ink priming system
- Built-in ink filtration
- Pump priming
- Low level ink warning

INKS

- Oil based for porous surfaces
- Shelf life up to 12 months
- Excellent light fastness performance
- "No Bleed" formulations
- Non-toxic, non-flammable, and fully waterproof

Custom options available upon request.



3 year conditional warranty on print engine

Matthews Marking Products continually improves products. The right, therefore, is reserved to alter the design and/or specifications without giving prior notice.

Matthews Marking Products



Matthews Marking Products

6515 Penn Avenue, Pittsburgh, PA 15206
(412) 665-2500 • Fax: (412) 365-2042

Gamlestadsvägen 8, S-415 02 Göteborg, Sweden
(46) (31) 338 7900 • Fax: (46) (31) 84 51 17

Sold and Distributed Worldwide