

SEMI-AUTOMATIC LABELING



R310 Round Product Labeling

- Roll-on labeling from ampules to gallons
- Quick and easy changeover
- Photoelectric label sensing
- Product sizes: .5" to 6" diameters
- Foot switch activation

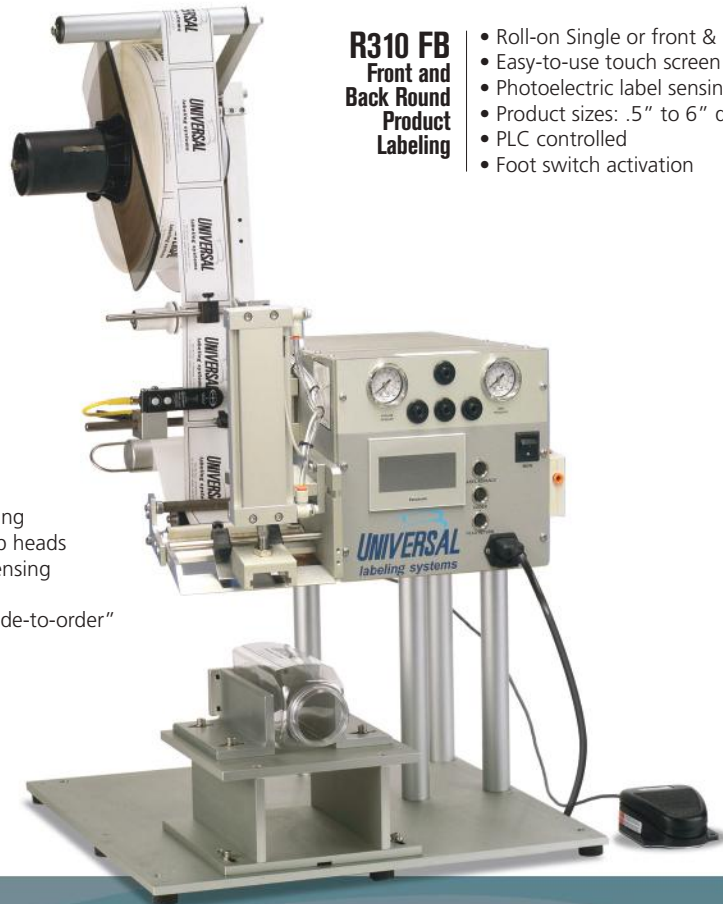


R310 FB Front and Back Round Product Labeling

- Roll-on Single or front & back labeling
- Easy-to-use touch screen
- Photoelectric label sensing
- Product sizes: .5" to 6" diameters
- PLC controlled
- Foot switch activation

L60 Tamp Apply Labeling

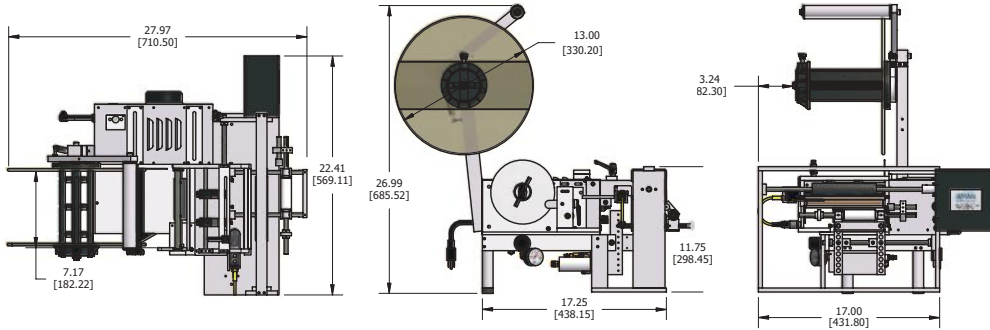
- Table top tamp labeling
- "Quick change" tamp heads
- Photoelectric label sensing
- PLC controlled
- Product fixtures "Made-to-order"



UNIVERSAL
labeling systems

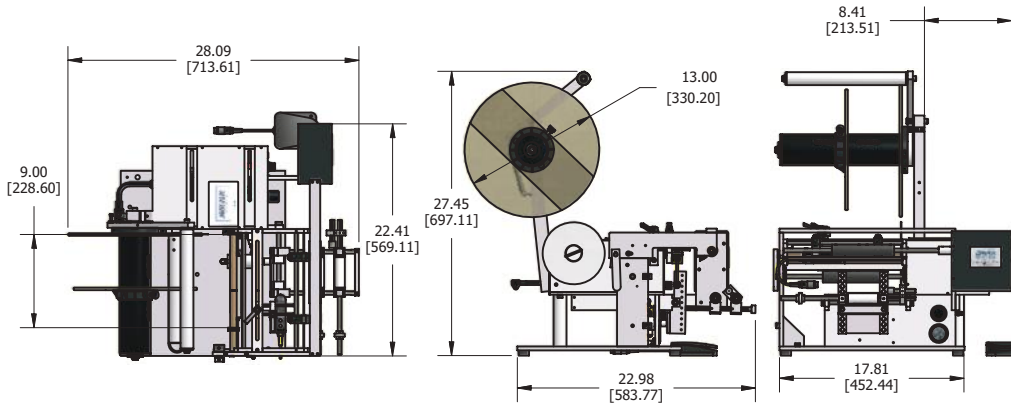
Engineering
labeling solutions.

SPECIFICATIONS



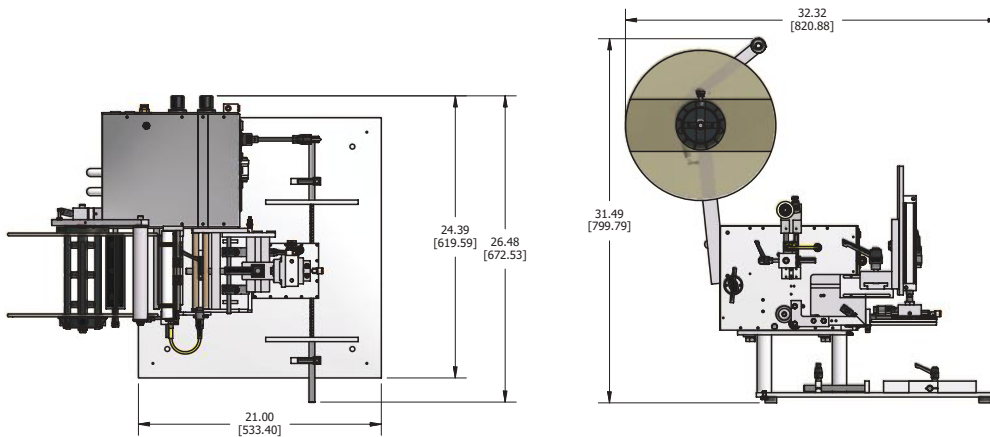
R310

- Dimensions: 17"W x 28"D x 27"H
- Web width: up to 6.75"
- Label roll capacity: up to 12" Ø
- Electric: 120VAC = +/-10%
- Air: 20 PSI minimum.



R310 Front & Back

- Dimensions: 18"W x 28"D x 28"H
- Web width: up to 9"
- Label roll capacity: up to 12" Ø
- Electric: 120Vac = +/- 10%
- Air: 20 PSI minimum



L60

- Dimensions: 24"W x 21"D x 32"H
- Web width: up to 6.5"
- Label roll capacity: up to 12" Ø
- Electric: 120 VAC = +/-10%
- Air: 40 PSI Tamp