

## PRINT AND APPLY LABELING SYSTEMS



**SATO**  
Print Engine



**ZEBRA**  
Print Engine



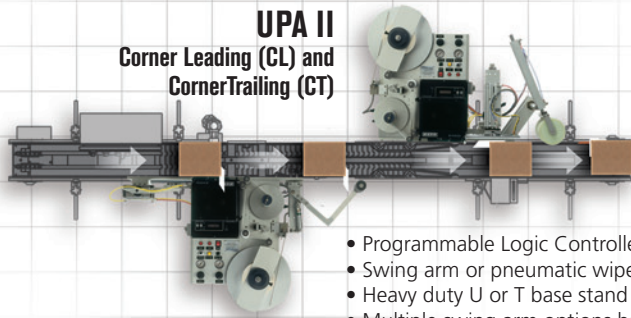
**DATAMAX**  
Print Engine

### UPA II Features:

- Industrial strength Print & Apply
- Easy-to-use operator touch screen
- Programmable Logic Controller (PLC)
- "Quick change" Tamp head
- Removable tamp head assembly for easy access to print engine.
- Proximity sensor in head "smart head"
- Label out condition
- Label roll capacity: 12" Ø
- Bar code compatible / RFID ready

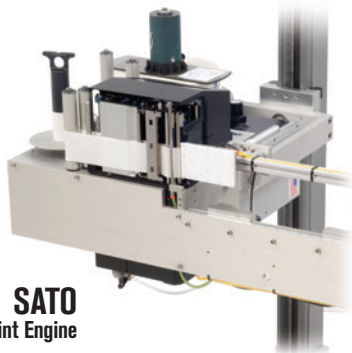
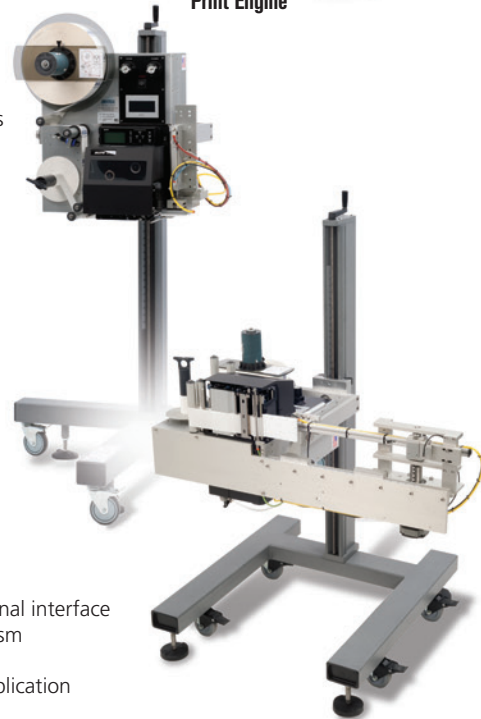
### UPA II Options:

- Label on head detection
- 3-tier light tree with system fault indicators to include label low, ribbon low, and ribbon out conditions
- External signal output
- Allen Bradley Micro 850 PLC
- Tamp/blow applicator
- Wipe-on applicator
- Radio Frequency Identification (RFID)
- UPA IIe all electric (stepper driven)

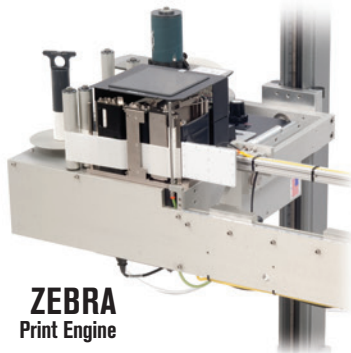


**UPA II**  
Corner Leading (CL) and  
CornerTrailing (CT)

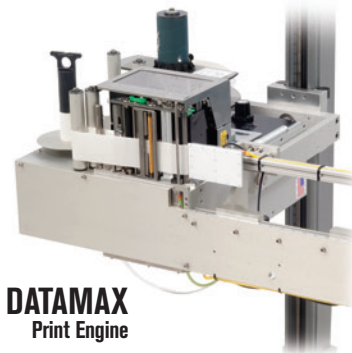
- Programmable Logic Controller (PLC) operational interface
- Swing arm or pneumatic wipe down mechanism
- Heavy duty U or T base stand
- Multiple swing arm options based on your application



**SATO**  
Print Engine



**ZEBRA**  
Print Engine

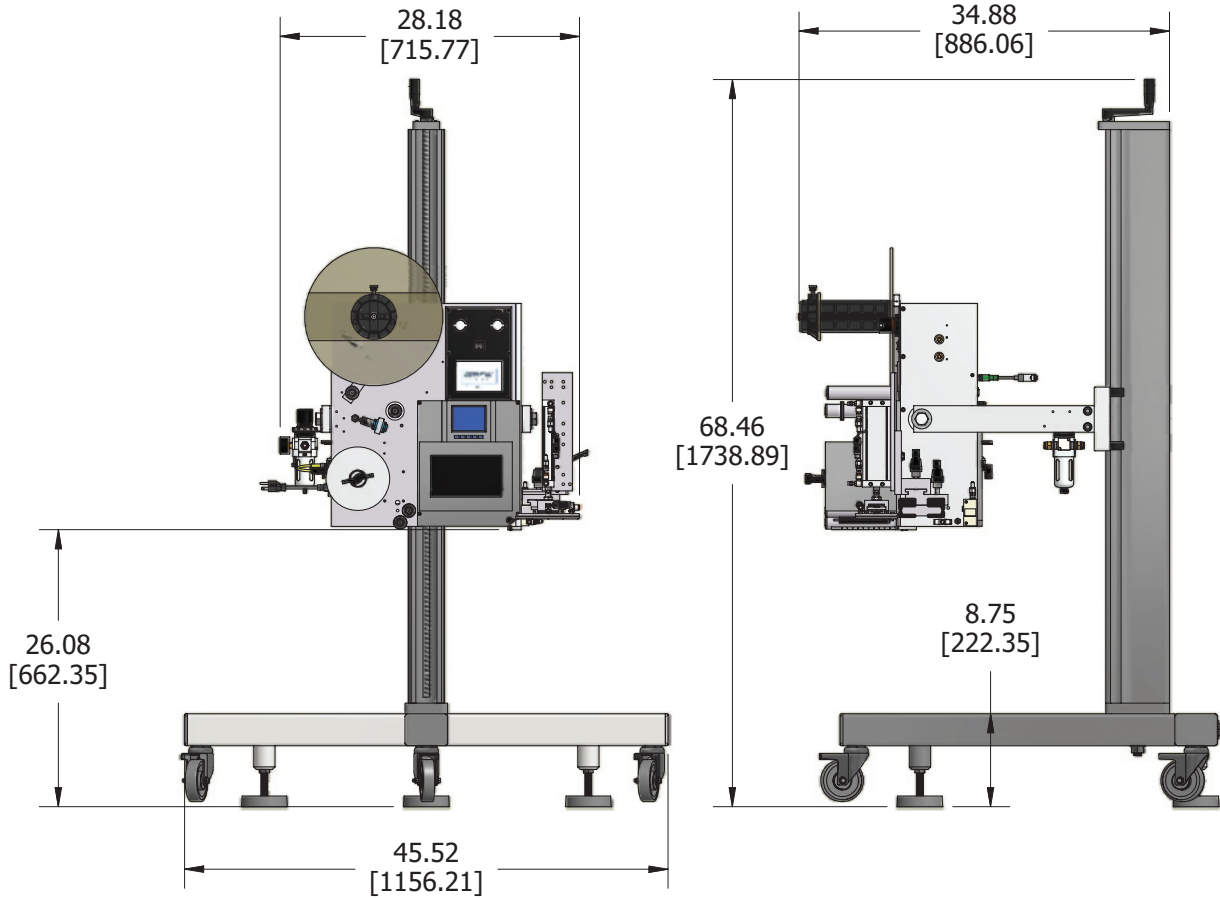


**DATAMAX**  
Print Engine

**UNIVERSAL**  
labeling systems

Engineering  
labeling solutions.

## SPECIFICATIONS



### UPA II

- 28"W x 35"L x 69"H
- Electric: 120 VAC +/-10%
- Air: 20 - 40 PSI Tamp