

LABEL APPLICATORS

SL1500 Label Applicator

- Stepper driven
- Modular approach
- Digitally controlled
- Multi-level menu system
- Photo-electric label sensing



SL2000 Label Applicator

- Stepper driven
- High-speed applicator
- Digitally controlled
- Multi-level menu system
- Photo-electric label sensing



L60 Label Applicator

- Stepper driven
- PLC controlled
- Tamp/tamp-blow
- "Quick change" tamp heads
- Photo-electric label sensing



L15 Wipe-On Applicator

- Clutch brake driven
- Simple to use analog controls
- Photo-electric label sensing

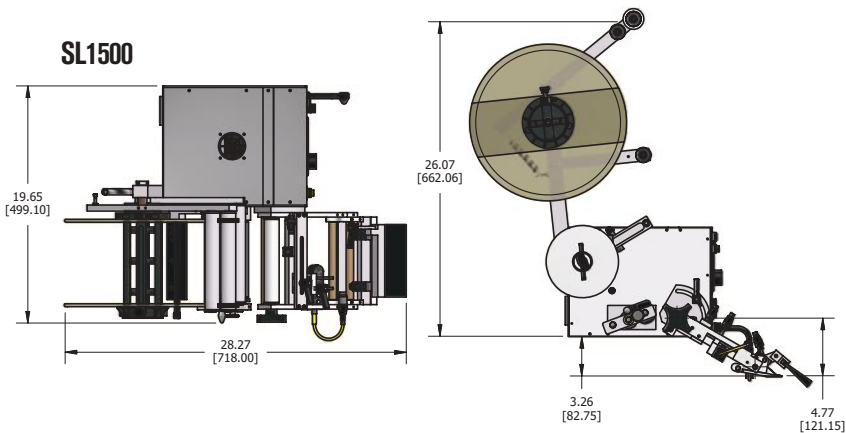


L30 Wipe-On Applicator

- Clutch brake driven
- Simple to use analog controls
- Photo-electric label sensing

UNIVERSAL
labeling systems

Engineering
labeling solutions.



SPECIFICATIONS

SL1500

- Dimensions: 20"W x 28"D x 26"H
- Label dispense speed: up to 1500" per min.
- Web width: up to 6.375" (standard; 8.125 optional)
- Label roll capacity: up to 12" OD
- Electric: 120 VAC = +/-10%
- Air for tamp version: 40 PSI/80 PSI blow-on

SL2000

- Dimensions: 19"W x 21"D x 37"H
- Label dispense speed: up to 3000" per min.
- Web width: up to 6.375" (standard; 8.125 optional)
- Label roll capacity: up to 16" OD
- Electric: 120 VAC = +/-10%
- Air for tamp version: 40 PSI/80 PSI blow-on

L60

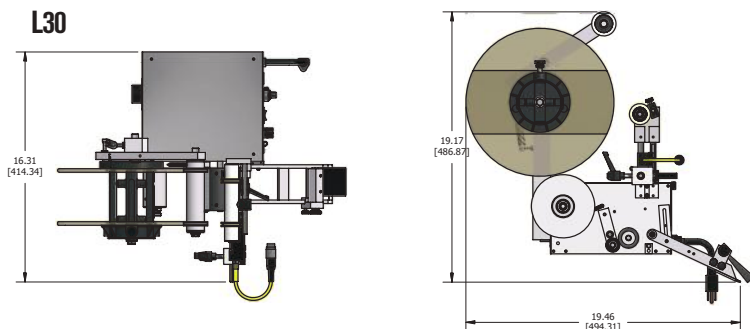
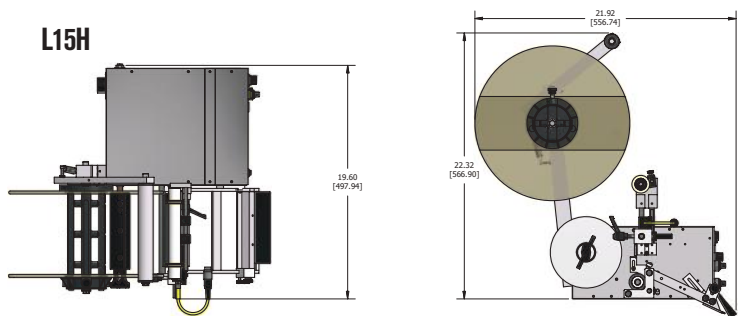
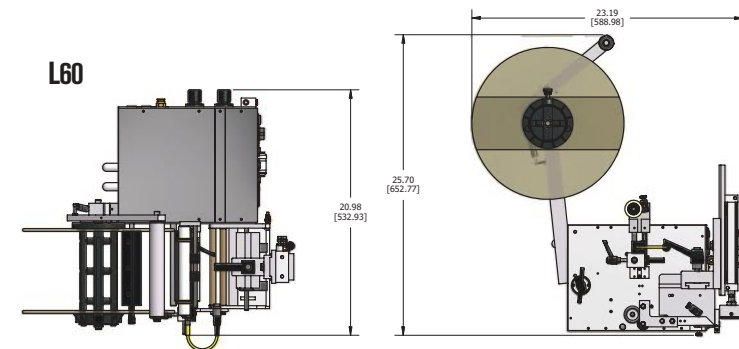
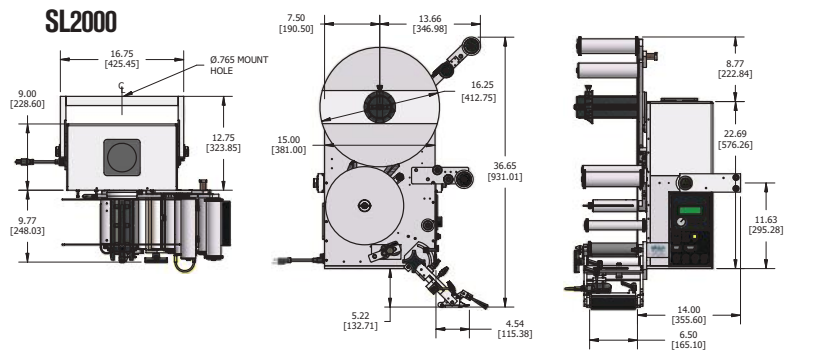
- Dimensions: 21"W x 23"D x 26"H
- Label dispense speed: 529" per min. (fixed)
- Web width: up to 6.5" (standard; 8.125 optional)
- Label roll capacity: up to 12" OD
- Electric: 120 VAC = +/-10%
- 40 PSI tamp/80 PSI blow-on

L15H

- Dimensions: 20"W x 22"D x 22"H
- Label dispense speed: up to 1200" per min.
- Web width: up to 6.5" (standard)
- Label roll capacity: up to 12" OD
- Electric: 120 VAC = +/-10%

L30

- Dimensions: 16"W x 20"D x 19"H
- Label dispense speed: up to 700" per min.
- Web width: up to 2.125"
- Label roll capacity: up to 10" OD
- Electric: 120 VAC = +/-10%



3501 8th Avenue South • St. Petersburg, FL 33711
1-877-236-0266
sales@universal1.com • www.universal1.com